



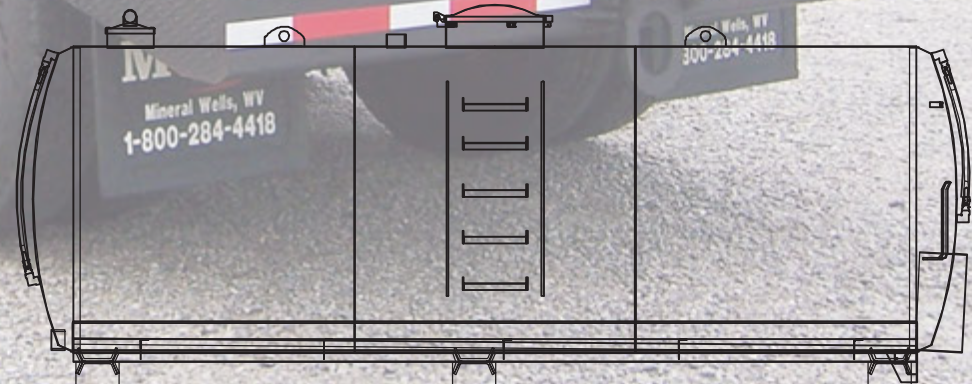
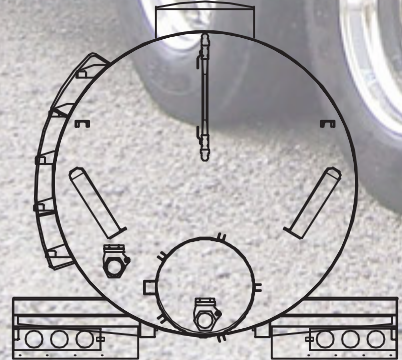
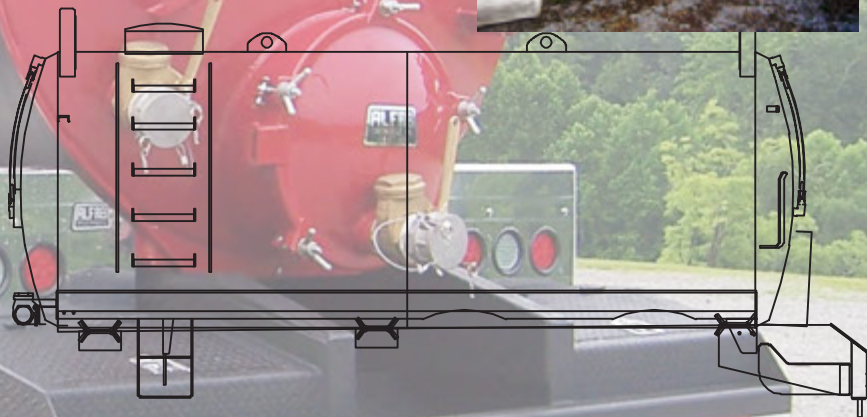
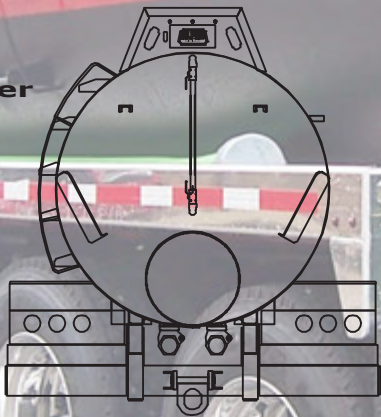
Smithville, WV

Phone: 866-477-3356  
Fax: 304-477-3040

www.alfab.com  
info@alfab.com

**Specs:**

- Capacity: 80-110 barrel
- Diameter: 6 or 6 1/2 feet
- Length: 17 or 19 1/2 feet
- Full Length Fenders
- Heavy Duty Front & Rear Bumper
- Interior Baffles
- 1 Top & 1 Bottom Manway
- Liquid-cooled water pump



**Setting Industry Standards For Over 44 Years**

# Custom Built Aluminum/Steel Truck Bodies, Trailers, & Oilfield Equipment



Route 16 North  
PO Box 26  
Smithville, WV 26178

*We offer a full line of: Truck/Tractor Packages, Wetlines for your application, Diamond Plate or Smooth finish Fenders, Custom built Cabguards & Tool Boxes, Steering & Non-Steering Axles, and a Complete Supply of OEM & Aftermarket Parts in Stock*

***We Service All Makes and Models***

*Pickup & Delivery Available*

Phone: 866-477-3356  
Fax: 304-477-3040

[www.alfab.com](http://www.alfab.com)  
[info@alfab.com](mailto:info@alfab.com)

**Setting Industry Standards For Over 44 Years**